

ACCESSORIES





TRUE SET RETAINER ACCESSORIES

	TRUE SET RETAINER	SOC. HD. CAP SCREW	DOWELS	BALL	SPRING	BALL RELEASE SCREW	ANGLE HOLE SET SCREW
LIGHT DUTY	MRL 06	MAC 6-35 M6 X 35	MAD 3-20 3mm x 20 MAD 6-20 6mm x 20	MAB 6 6mm	MAS 6 6mm	MAC 3-15 M3 x 15	
	MRL 10	MAC 8-35 M8 x 35	MAD 6-20 6 mm x 20	MAB 8 8mm	MAS 8 8mm	MAC 4-20 M4 x 20	
	MRL 13						
	MRL 16						
	MRL 20	MAC 10-40 M10 x 40					
MRL 25	MAC 12-40 M12 x 40						
HEAVY DUTY	MRH 10	MAC 8-45 M8 x 45	MAD 6-20 6mm x 20	MAB 10 10mm	MAS 10 (W/CLIP)	MAC 4-20 M4 X 20	MAN 10
	MRH 13				MAS 10T (W/SCREW) 10mm		
	MRH 16						
	MRH 20	MAC 10-50 M10 x 50		MAB 12 12mm	MAS 12 (W/CLIP)		
	MRH 25	MAC 12-50 M12 x 50			MAS 12T (W/SCREW) 12mm		
	MRH 32						
	MRH 40				MAS 13mm/40mm		

SPECIAL BACKING PLATE RETAINER ACCESSORIES

	SPRINGS	BALLS
6 DIA.	MAS 6S	MAB 6
8 DIA.	MAS 8S	MAB 8
10 DIA.	MAS 10S	MAB 10
12 DIA.	MAS 12S	MAB 12

POSITIVE RETENSION SNAP RING

MAS-10C		Used for 10mm Heavy Duty Retainer Only
MAS-12C		Used for 13mm-40mm Heavy Duty Retainers Only

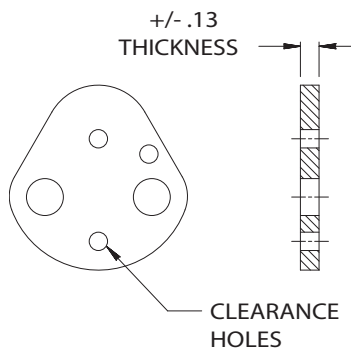
ECONOMY ROUND TRUE SET RETAINER ACCESSORIES

TRUE SET ROUND RETAINER	SOC. HD. CAP SCREW	DOWELS	BALL	SPRING	BALL RELEASE SCREW	ANGLE HOLE SET SCREW
MRR 10	MAC 12-50 TL M12-1.75 x 50mm	MAD 6-20 6mm X 20	MAB 10 10mm	MAS 10T 10 mm	MAC 4-20 4mm X 20	MAN 10
MRR 13						
MRR 16						
MRR 20	MAC16-50 TL M16-2.0 x 50mm		MAB 12 12mm	MAS 12T 12mm		MAN 12
MRR 25						
MRR 32	MAC20-50 TL M20-2.5 x 50mm					
MRR 40						

SHOULDER TRUE SET RETAINER ACCESSORIES

TRUE SET SHOULDER RETAINER	SOC. HD. CAP SCREW	DOWELS	TRUE SET SHOULDER RETAINER	SOC. HD. CAP SCREW	DOWELS	
MRN 10	MAC 8-35 M8 x 35	MAD 6-20 6mm x 20	MRO-10	MAC 8-35 M8 x 35	MAD 6-20 6mm x 20	
MRN 13						MRO-13
MRN 16						MRO-16
MRN 20	MAC10-40 M10 x 40		MRO-20	MAC10-40 M10 x 40		
MRN 25	MAC 12-40 M12 x 40-50			MRO-25		MAC 12-40 M12 x 40-50
MRN 32				MRO-32		

TRUE SET SHIM PLATES

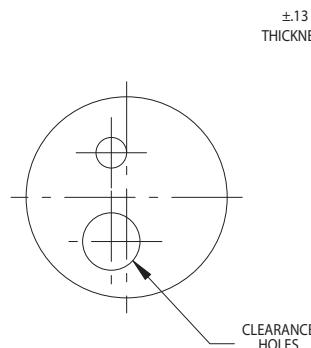


Available Thickness	Ordering Number
1.80	018
3.00	030
3.18	031
4.75	047
6.00	060
6.35	063
10.00	100
13.00	130

CATALOG NUMBER
MAX 10-
MAX 13-
MAX 16-
MAX 20-
MAX 25-
MAX 32-
MAX 40-

INSERT SHIM THICKNESS

ORDERING EXAMPLE
MAX 13.031



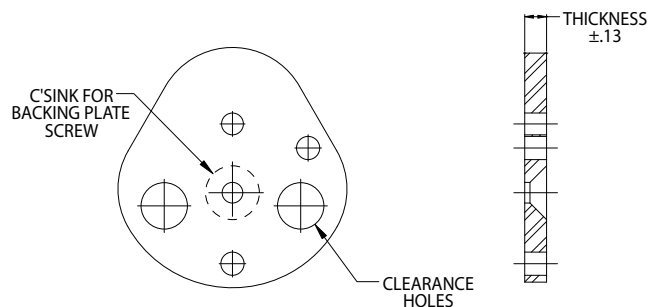
Available Thickness	Ordering Number
1.80	018
3.00	030
3.18	031
4.75	047
6.00	060
6.35	063
10.00	100
13.00	130

CATALOG NUMBER
MAY 10-
MAY 13-
MAY 16-
MAY 20-
MAY 25-
MAY 32-
MAY 40-

INSERT SHIM THICKNESS

ORDERING EXAMPLE
MAY 13-031

TRUE SET SHOULDER RETAINER BACKING PLATES



CATALOG NUMBER
MAW 10-
MAW 13-
MAW 16-
MAW 20-
MAW 25-
MAW 32-

Available Thickness	Ordering Number
4.75	047
6.35	063

HARDENED TO R/C 50-52

ORDERING EXAMPLE
MAW 13-047

INSERT BACKING PLATE THICKNESS

BALL RELEASE TOOLS

ANGLE TIP
(for all Retainers)

Cat. No. MAT 01



STRAIGHT TIP
(for all Retainers)

Cat. No. MAT 02



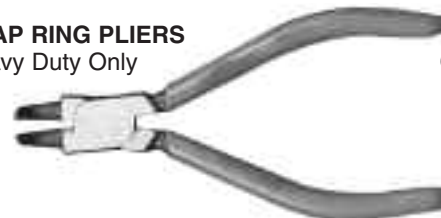
THREADED TIP
(for True Set Retainers) 10-40 Diameter

Cat. No. MAT 03



SNAP RING PLIERS
Heavy Duty Only

Cat. No. MAT 10



ANGLE HOLE SET SCREW TOOL
(for True Set Retainers)

Cat. No. MAT 001

