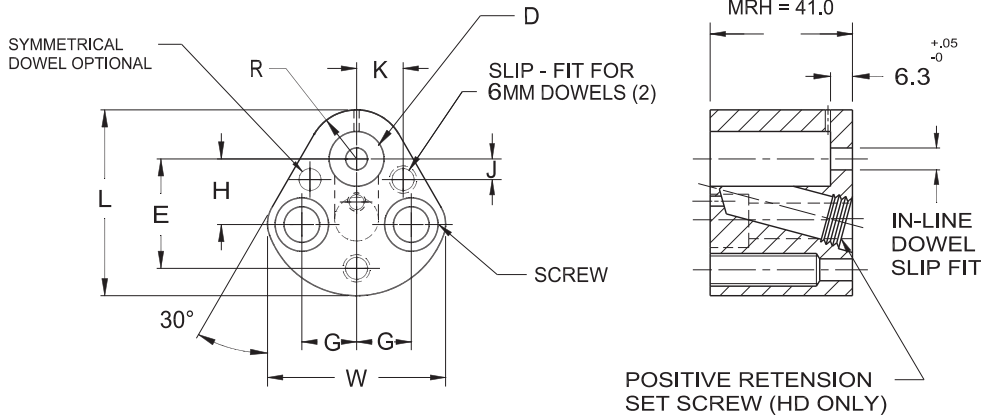


# BALL LOCK RETAINERS



## TRUE SET



Manufactured under Patent No.'s 0351395, 5357835  
International Patents Pending.

FOR ACCESSORIES AND SHIM PLATES SEE PAGES 39-43.

## Heavy Duty

CAD FILES AVAILABLE FOR DOWNLOAD AT [WWW.MOELLERPUNCH.COM](http://WWW.MOELLERPUNCH.COM)

CATALOG NUMBER	D DIA.	±.01 E	G	L	W	R	H	±.01 J	±.01 K	IN-LINE DOWEL	SCREW SIZE
MRH 10	10	26.924	11.12	44.5	39.9	9.5	19.05	7.50	9.00	6	M8
MRH 13	13	29.972	14.27	50.8	48.3	12.7	19.05	6.50	12.00	6	M8
MRH 16	16	31.750	15.87	54.0	51.6	14.3	19.05	6.00	13.50	6	M8
MRH 20	20	33.528	17.47	60.3	58.2	17.5	19.05	5.00	16.50	6	M10
MRH 25	25	40.640	19.84	69.9	66.5	22.2	23.82	7.00	22.00	6	M12
MRH 32	32	40.640	19.84	69.9	66.5	22.2	23.82	7.00	22.00	6	M12
MRH 40	40	43.993	24.00	77.4	77.8	26.0	27.00	10.00	26.00	6	M12

## Light Duty

CATALOG NUMBER	D DIA.	±.01 E	G	L	W	R	H	±.01 J	±.01 K	IN-LINE DOWEL	SCREW SIZE
MRL 06	06	23.000	11.10	41.3	37.8	8.0	19.00	9.00	8.00	3	M6
MRL 10	10	26.924	11.12	44.5	39.9	9.5	19.05	7.50	9.00	6	M8
MRL 13	13	29.972	14.27	50.8	48.3	12.7	19.05	6.50	12.00	6	M8
MRL 16	16	31.750	15.87	54.0	51.6	14.3	19.05	6.00	13.50	6	M8
MRL 20	20	33.528	17.47	60.3	58.2	17.5	19.05	5.00	16.50	6	M10
MRL 25	25	40.640	19.84	69.9	66.5	22.2	23.82	7.00	22.00	6	M12