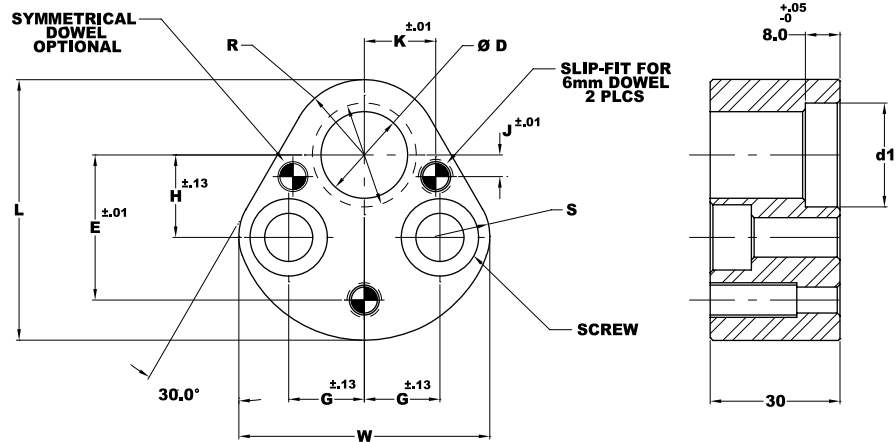


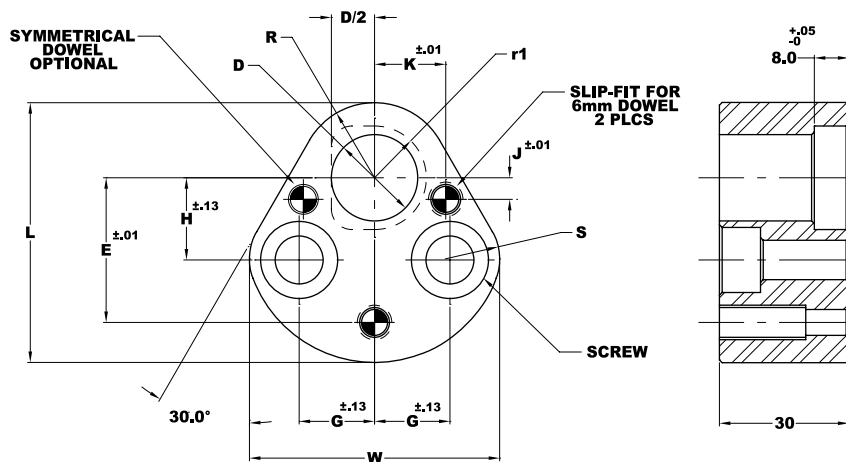
TRUE SET

XMRN STYLE FOR ROUND PUNCHES



PART NUMBER	D	d1	L	W	R	H	J	K	S	G	E	SCREW SIZE
XMRN-10	10.00	15.5	44.5	43.7	9.5	19.0	7.5	9.0	12.0	11.1	26.925	M8
XMRN-13	13.00	18.5	50.8	50.0	12.7	19.0	6.5	12.0	15.2	14.3	29.970	M8
XMRN-16	16.00	21.5	54.0	53.2	14.3	19.0	6.0	13.5	16.8	15.9	31.750	M8
XMRN-20	20.00	25.5	60.3	59.5	17.5	19.0	5.0	16.5	20.0	17.5	33.530	M10
XMRN-25	25.00	30.5	69.9	69.1	22.2	23.8	7.0	22.0	24.7	19.8	40.640	M12

XMRO STYLE FOR SHAPED PUNCHES



PART NUMBER	D	r1	L	W	R	H	J	K	S	G	E	SCREW SIZE
XMRO-10	10.00	7.75	44.5	43.7	9.5	19.0	7.5	9.0	12.0	11.1	26.925	M8
XMRO-13	13.00	9.25	50.8	50.0	12.7	19.0	6.5	12.0	15.2	14.3	29.970	M8
XMRO-16	16.00	10.75	54.0	53.2	14.3	19.0	6.0	13.5	16.8	15.9	31.750	M8
XMRO-20	20.00	12.75	60.3	59.5	17.5	19.0	5.0	16.5	20.0	17.5	33.530	M10
XMRO-25	25.00	15.25	69.9	69.1	22.2	23.8	7.0	22.0	24.7	19.8	40.640	M12