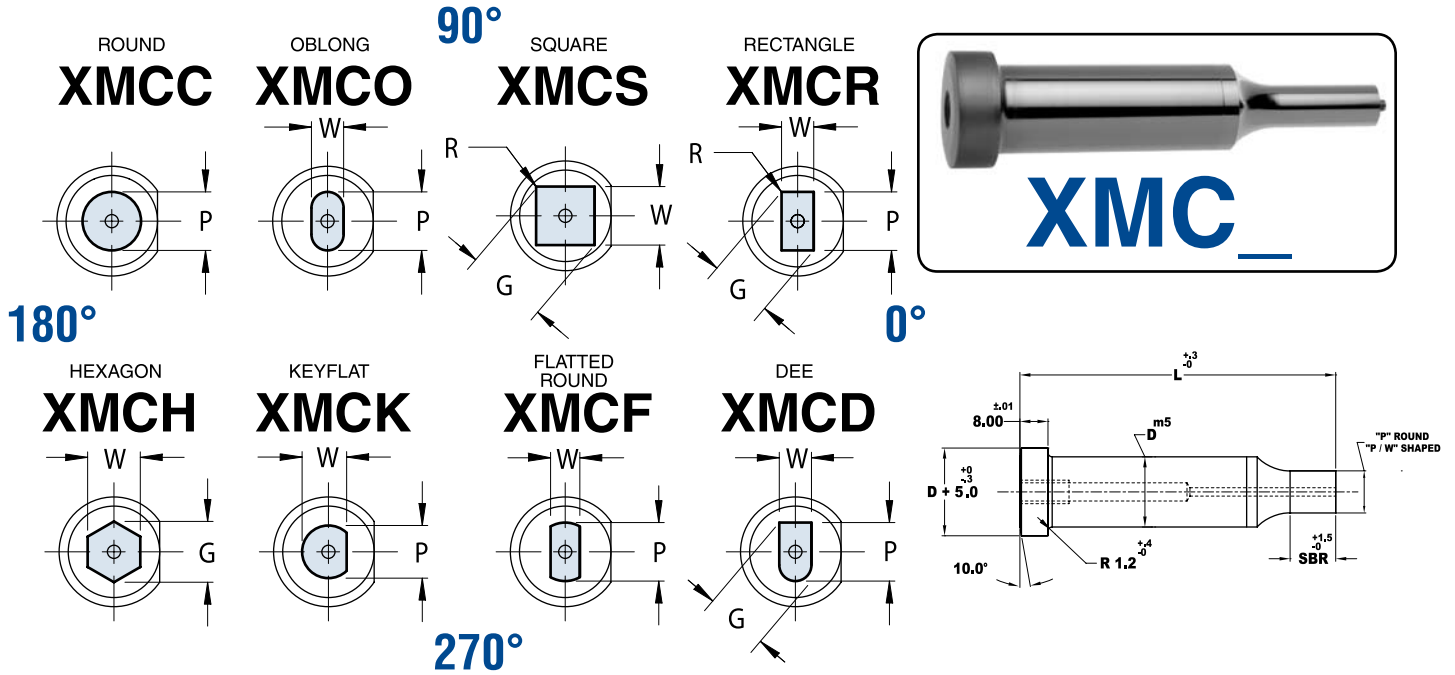


EJECTOR



VIEWS ARE SHOWN LOOKING THROUGH THE SHANK BUT DRAWN WITH SOLID LINES FOR CLARITY.

FOR STANDARD ALTERATIONS SEE MASTER CATALOG

SHANK CATALOG TYPE	ROUND DIA D	ROUND	SHAPE		OVERALL LENGTH "L"			
		RANGE P	MIN W	MAX G/P	70	80	90	100
XMC_10	10	4.50 - 9.99	4.50	10.00	X	X	X	X
XMC_13	13	6.00 - 12.99	6.00	13.00	X	X	X	X
XMC_16	16	8.00 - 15.99	7.50	16.00	X	X	X	X
XMC_20	20	10.00 - 19.99	8.00	20.00	X	X	X	X
XMC_25	25	12.00 - 24.99	9.00	25.00	X	X	X	X
XMC_32	32	16.00 - 31.99	10.00	32.00	X	X	X	X

Material
Steel: CPM M4 RC 60-62
Heads RC 40-55

Standard Point Tolerance

Round P $\pm .0005$ $\begin{matrix} \text{---} \\ \text{---} \end{matrix}$.0005 P to D

Shape P, W $\pm .0005$ $\begin{matrix} \text{---} \\ \text{---} \end{matrix}$.001 P to D

CATALOG TYPE	SHANK D	POINT LENGTH "SBR"		EJECTOR SIZE
		STD	ALTERNATE B	
XMC_10	10	13	19	MAE 5
XMC_13	13	13	19	MAE 5
XMC_16	16	19	25	MAE 6
XMC_20	20	19	25	MAE 6
XMC_25	25	19	25	MAE 6
XMC_32	32	19	25	MAE 6

L=50 SBR MAX=13 L=60 SBR MAX=19
L=56 SBR MAX=19 L=63 SBR MAX=25

STANDARD FLAT LOCATION IS AT 0° AS SHOWN.
AVAILABLE AT 90°, 180°, 270°, FOR SAME ALTERATION PRICE.