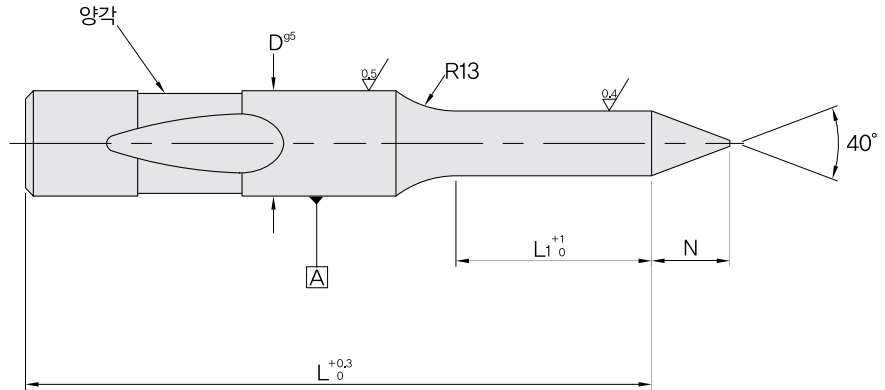
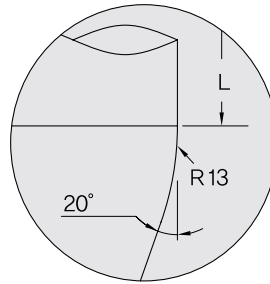
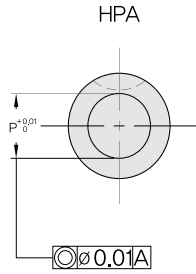




PUNCH - HPA BALL LOCK POSITIVE PICK-UP PIL OTS

TYPE HPA

(중하중용)



호칭경 D	L1 Std. S	Alt. A	Alt. B	Type&D	원형 P	N	L							
							80	90	100	110	125	140	150	
10	19	32		HPA10	5.00-10.00	8	●	●	●	●				
13	19	32		HPA13	9.00-13.00	10	●	●	●	●	●	●		
16	25	38	L	HPA16	12.00-16.00	15	●	●	●	●	●	●	●	●
20	25	38	Minus	HPA20	15.00-20.00	20	●	●	●	●	●	●	●	●
25	25	38	48	HPA25	19.00-25.00	25	●	●	●	●	●	●	●	●
32	25	38		HPA32	24.00-32.00	30	●	●	●	●	●	●	●	●
40	30	45		HPA40	30.00-40.00	40	●	●	●	●	●	●	●	●

규격표기 방법 Catalog No. D - L1 - L - P

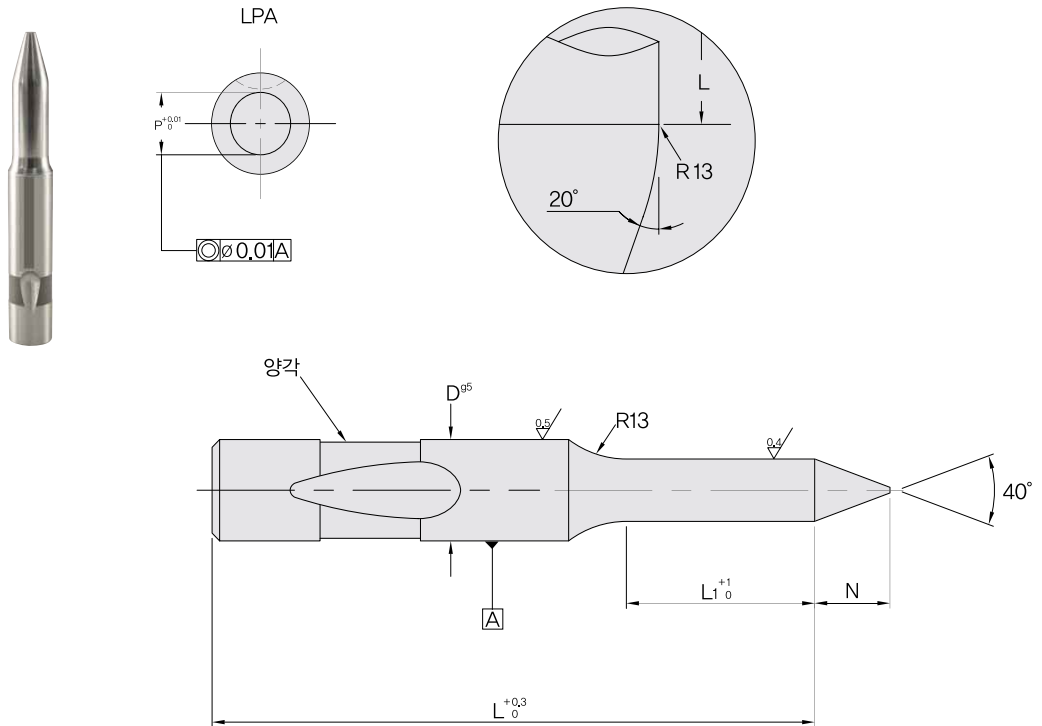
HPA 16 - 25 - 80 - P12.0



PUNCH - LPA BALL LOCK REGULAR PILOT

TYPE LPA

(경하중용)



호칭경 D	Std. S	L1 Alt. A	Alt. B	Type&D	원형 P	N	L							
							71	80	90	100	110	125	140	150
10	19	32		LPA10	5.00-10.00	8	●	●	●	●				
13	19	32		LPA13	9.00-13.00	10	●	●	●	●	●	●		
16	25	38	L	LPA16	12.00-16.00	15	●	●	●	●	●	●	●	●
20	25	38	Minus	LPA20	15.00-20.00	20	●	●	●	●	●	●	●	●
25	25	38	48	LPA25	19.00-25.00	25	●	●	●	●	●	●	●	●
32	25	38		LPA32	24.00-32.00	30		●	●	●	●	●	●	●
38	30	45		LPA38	30.00-38.00	35		●	●	●	●	●	●	●

규격표기 방법 Catalog No. D - L1 - L - P
 LPA 16 - 25 - 80 - 12